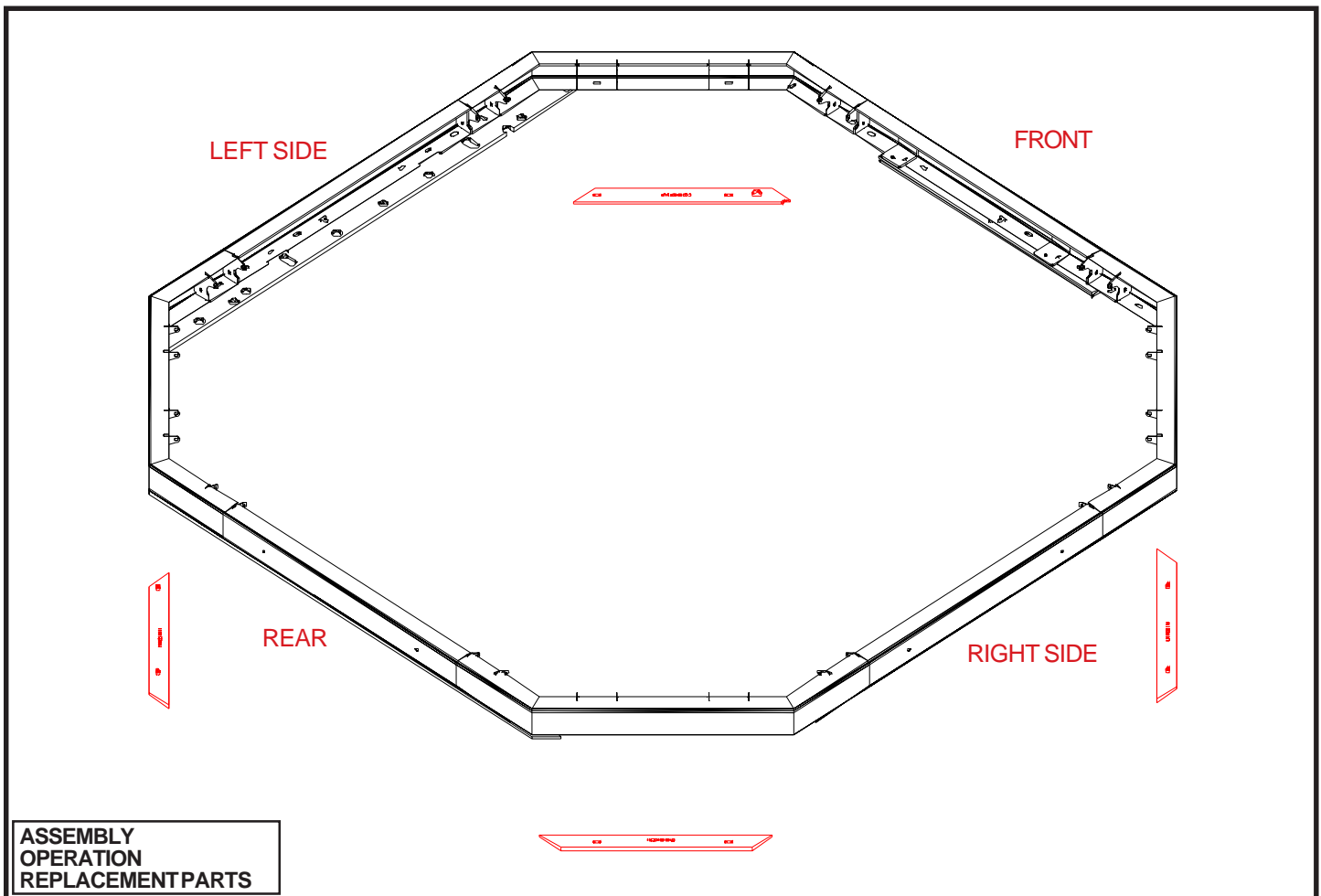


John Deere STS Corner Filler Strip Kit Assembly Instructions

This product is used with the Maurer STS (9E000017) Mounting Kit when installing a Maurer STS (9E000001) Bin Extension on the 60 & 70 series STS combines equipped with the High Rate Unloading Auger Option.



Plastic Corner Filler Strip (9E000031) Assembly Instructions

STEP 1:

Locate the plastic corner strips listed below and the tank caps from the STS Bin Extension kit 9E000001. Place these part at the appropriate corners of the combine tank. See figure 1.

STEP 2:

Start at the left front corner. Place part 1AR00000065 under the left frame corner and the left front tank cap under that. Fasten these three parts together with two of the 5/16" x 1" serrated flange bolts and two of the 5/16" serrated flange nuts. See figure 2.

STEP 3:

Install the three remaining corner filler strips as indicated in Step 2. Reference figure 1 and 2.

PARTS LIST

REF.#	PART #	QTY.	DESCRIPTION	LENGTH
1.	1AR00000065	1	Left Front Corner - Filler Strip	26.279"
2.	1AR00000066	1	Left Rear Corner - Filler Strip	25.125"
3.	1AR00000067	1	Right Front Corner - Filler Strip	28.562"
4.	1AR00000068	1	Right Rear Corner - Filler Strip	28.313"
5.	1AFC37EAA05	8	5/16" x 1" Serrated Flange Bolt	
6.	1AFC08E0000	8	5/16" Serrated Flange Nut	

Please order replacement parts by PART NO. and DESCRIPTION.

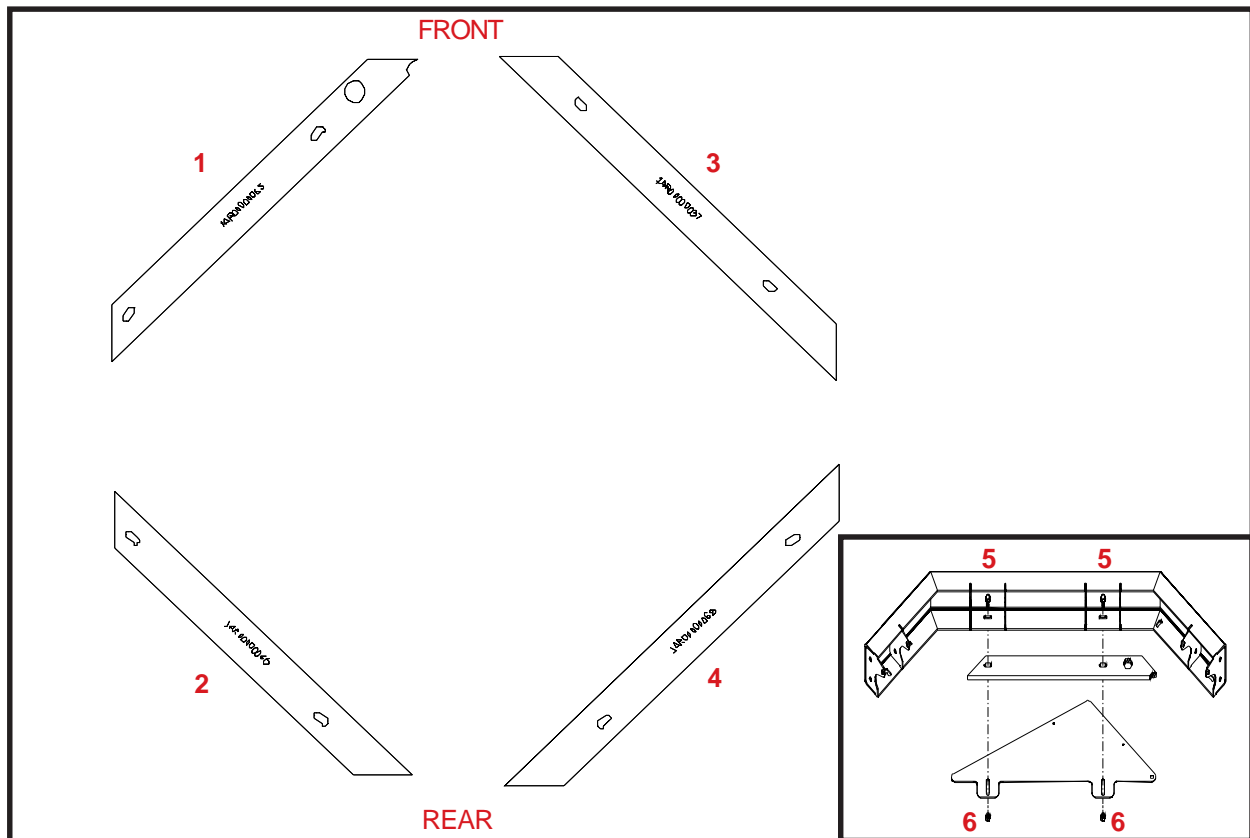


Figure 1

Figure 2